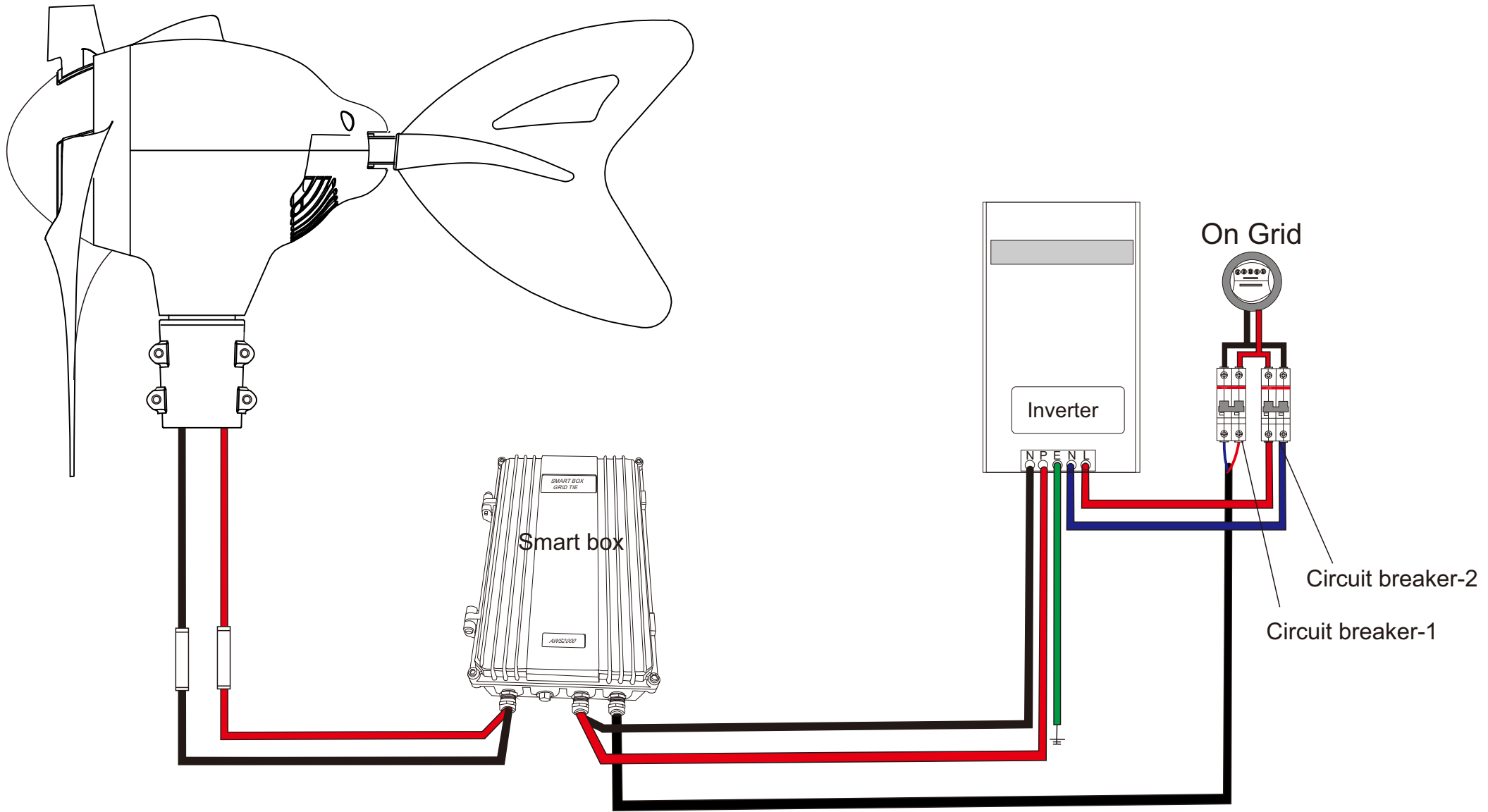


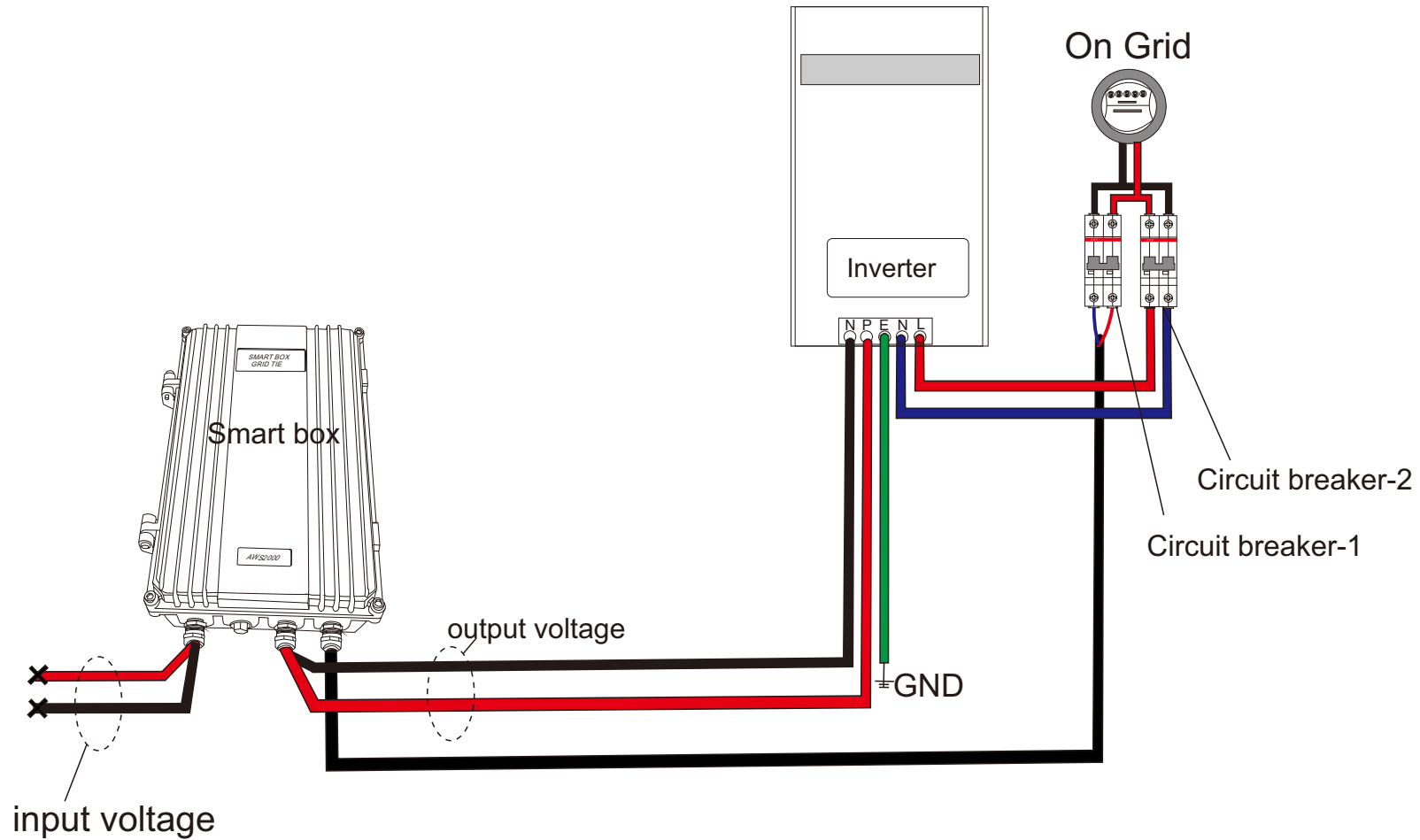
Wind turbine Grid Tie Diagram



How to check the smart box?

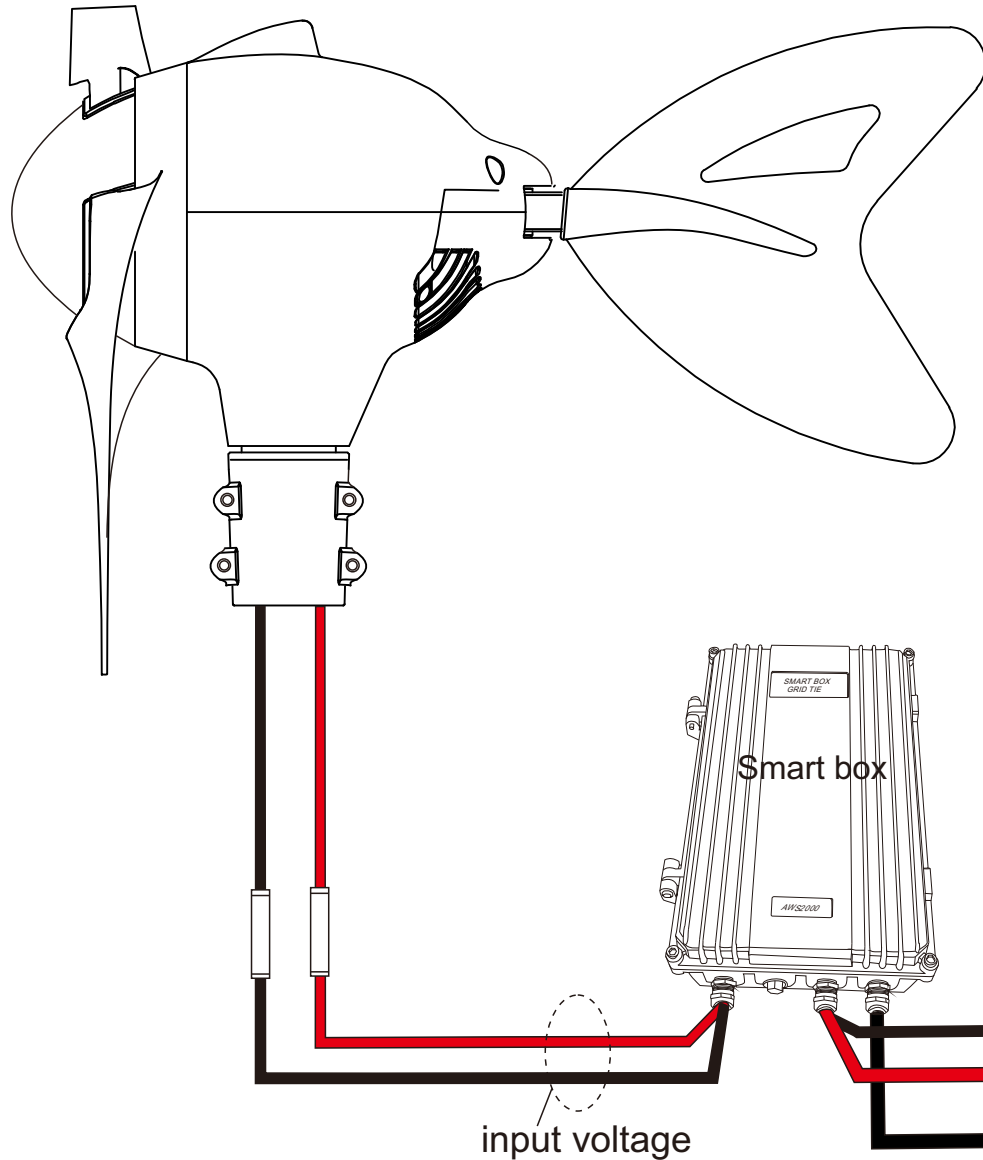
First make sure the turbine is in motionless condition.

1. Disconnect all the leads from turbine.
2. Check the input voltage of the smart box. If the smart box is in normal working condition, the input voltage should be in 120V-295V.
3. The normal output voltage of smart box is 125V-280V.
4. If the inverter can be pull up by the smart box and there is power rading, the smart box should be no problem.



How to check the turbine?

1. When you finish the test on last page, please turn off the circuit breakers, then connect the leads from the turbine to the smart box, then turn on the circuit breakers. If the input voltage of smart box is 120V-295V, the turbine will release and the LED in the turbine is green, the turbine can produce power when there is enough wind.
2. If the input voltage of the turbine is 300V, the wind turbine is in standby mode, and the turbine will spin with red light flashing.
3. If the turbine is in normal voltage 120V-295V, but the turbine still does not release, maybe there is some problem on the controller inside the turbine.



The turn off breakers order: first turn off braker 1, then wait about 20seconds and turn off braker-2.

